

# Restrictors\*

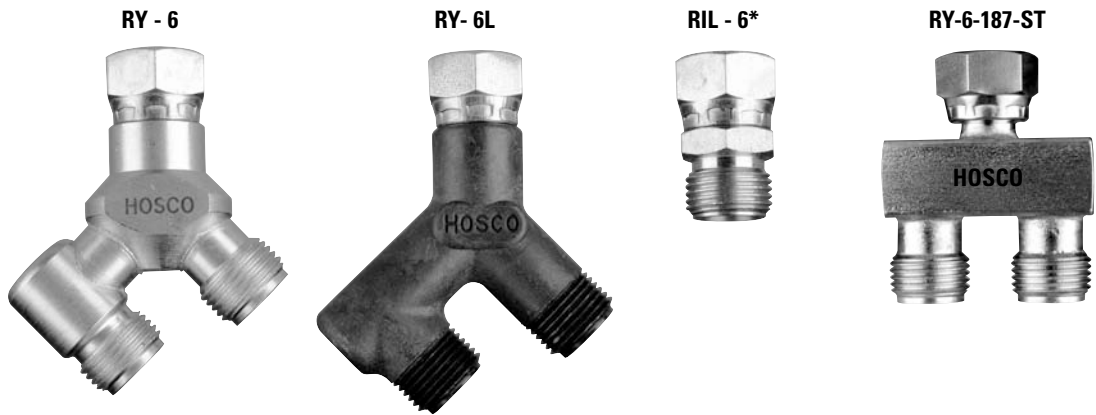
## Stainless Steel Restrictor

- Stainless steel or composite
- Lightweight
- Compact
- Replaces gun regulator
- Low cost
- .350 I.D. recirculating passage
- No pressure loss
- Tamper proof

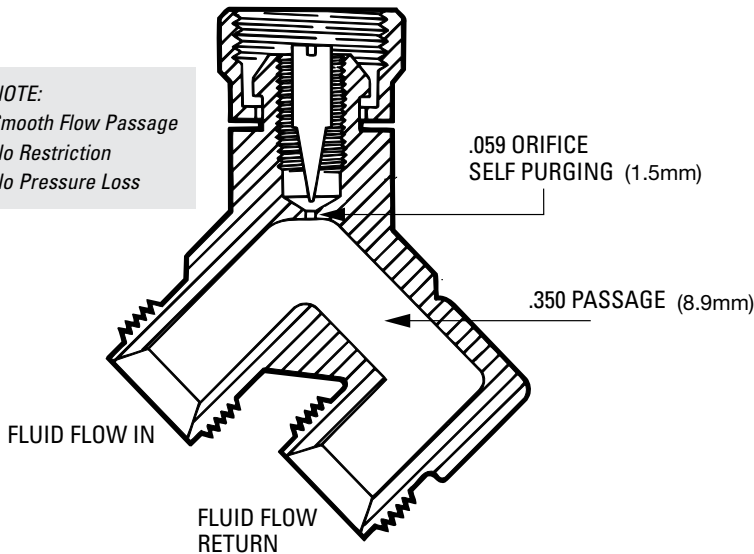
PART NO.	DESCRIPTION	SST	LIGHTWEIGHT COMPOSITE	PART NO. FOR BSP THREAD
RY - 4	3/8" NPS(F) x 1/4" NPS(M)	•		RY - 4B
RY - 6	3/8" NPS(F) x 3/8" NPS(M)	•		RY - 6B
RY - 6 - 312	Same as above without needle orifice.	•		RY - 6B - 312
RIL - 6	3/8" NPS(F) x 3/8" NPS(M)	•		RIL - 6B
RY - 4L	3/8" NPS(F) x 1/4" NPS(M)		•	RY - 4LB
RY - 6L	3/8" NPS(F) x 3/8" NPS(M)		•	RY - 6LB
RY - 6L - 312	Same as above without needle orifice.		•	RY - 6LB - 312
RIL - 6 - AJ	3/8" NPS(M) x 3/8" NPS(F)	•		RIL - 6B - AJ
RY - 6 - AJ	3/8" NPS(F) x 3/8" NPS(M)	•		RY - 6B - AJ
RY - 6 - 187 - ST	3/8" NPS(F) x 3/8" NPS(M)	•		

\*U.S. Patent No. 4,106,699 Canadian Patent No. 1,073,869 Pending

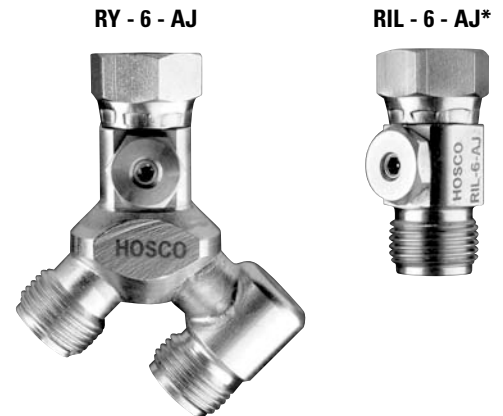
## Hosco Tamper Proof Restrictors



**NOTE:**  
 Smooth Flow Passage  
 No Restriction  
 No Pressure Loss



## Hosco Externally Adjustable Restrictors



\*Use with Monoline Coaxial Paint Circulating System (see page 22)