

# Quick Disconnect Stem



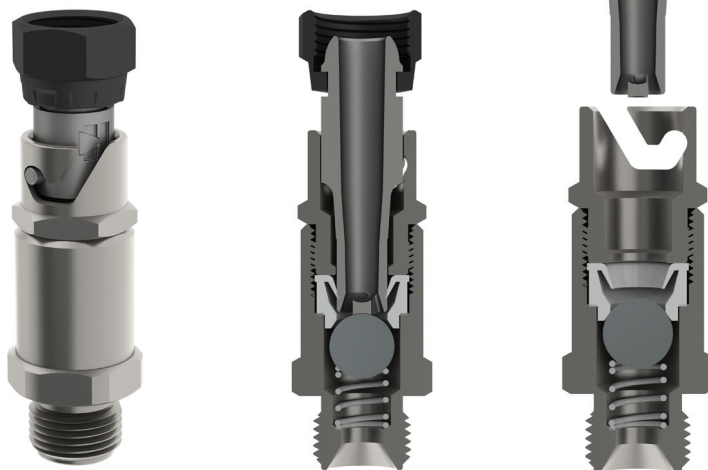
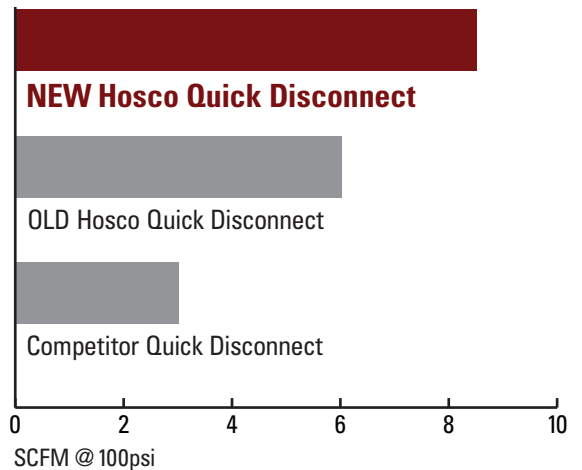
## Benefits and Features

- New redesign compatible with all Hosco SSQD products
- 46% better flow than old design
- 174% better flow than competitor QD technology
- Embedded Hosco logo for easy identification

## As Always...

Stainless Steel, Silicone Free, Smooth Bore, Cavity Free, Low Shear

## Improved Flow Characteristics



## Ordering Information

**SS-STEM-6-316**  
QD Stem x 3/8" NPS female

**SS-STEM-6B-316**  
QD Stem x 3/8" BSP female

